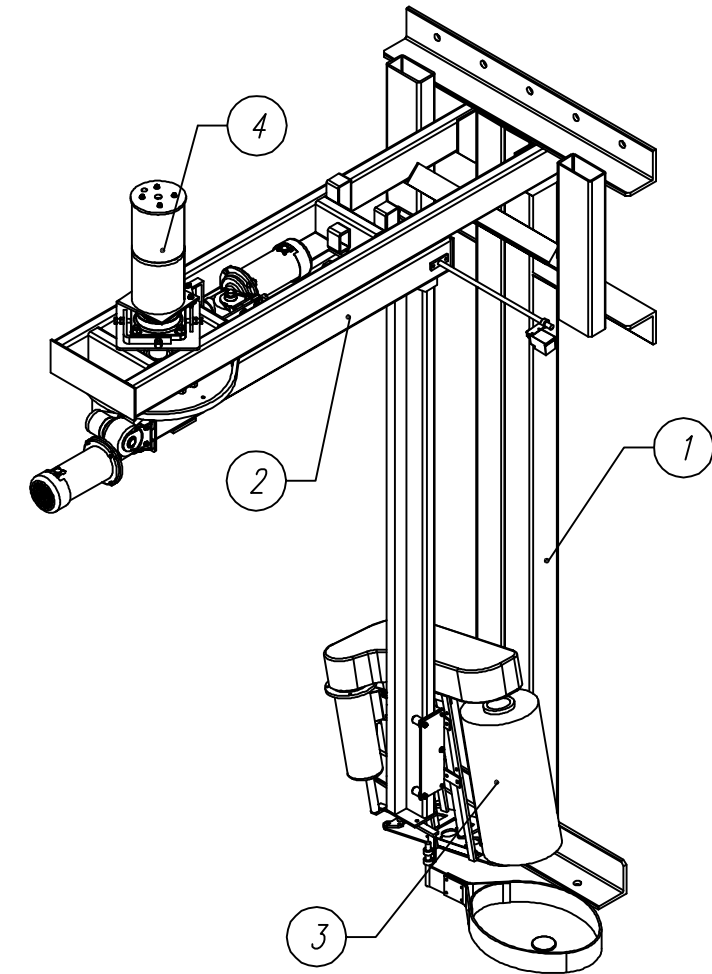


REV.	DESCRIPTION	BY:	DATE:
B	-	-	-



ITEM	DESCRIPTION	FILE OR PART NO.	QTY	WEIGHT
4	SLIP RING ASSEMBLY	RTS-2100-SL01-SR-000-00-A-A	1	-
3	20" FILM PRESTRETCH CARRIAGE	RTS-2100-SL01-CA-000-00-A-A	1	-
2	ROTARY ARM ASSEMBLY	RTS-2100-SL01-RA-000-00-A-A	1	-
1	STAND ASSEMBLY	RTS-2100-SW01-ST-000-00-A-A	1	-

NOTES :				
FLANGE BEARINGS ROTARY ARM				
PROJECTION	TOL. : ± 1/32 OR ± .010 UNLESS OTHERWISE SPECIFIED	SIZE: B SCALE: 1:24	DRAWN BY: ROGER F. APPROVED BY:	DATE: APR-26-2006 DATE:
"WALL ATTACHED" STYLE ARM WRAPPER (PRT-2100)				TOTAL WEIGHT-LBS: - QTY: 1
PHOENIX INNOTECH INC. 180 BELLROSE, LAVAL, QUEBEC, H7L 6A2, CANADA. TEL:450 628 8330, FAX:450 628 9862		FILE: RTS-2100-SW01-AL-000-00-B-A		

THIS DRAWING IS CONFIDENTIAL AND SHALL NOT BE REPRODUCED OR USED WITHOUT THE WRITTEN CONSENT OF PHOENIX INNOTECH INC.