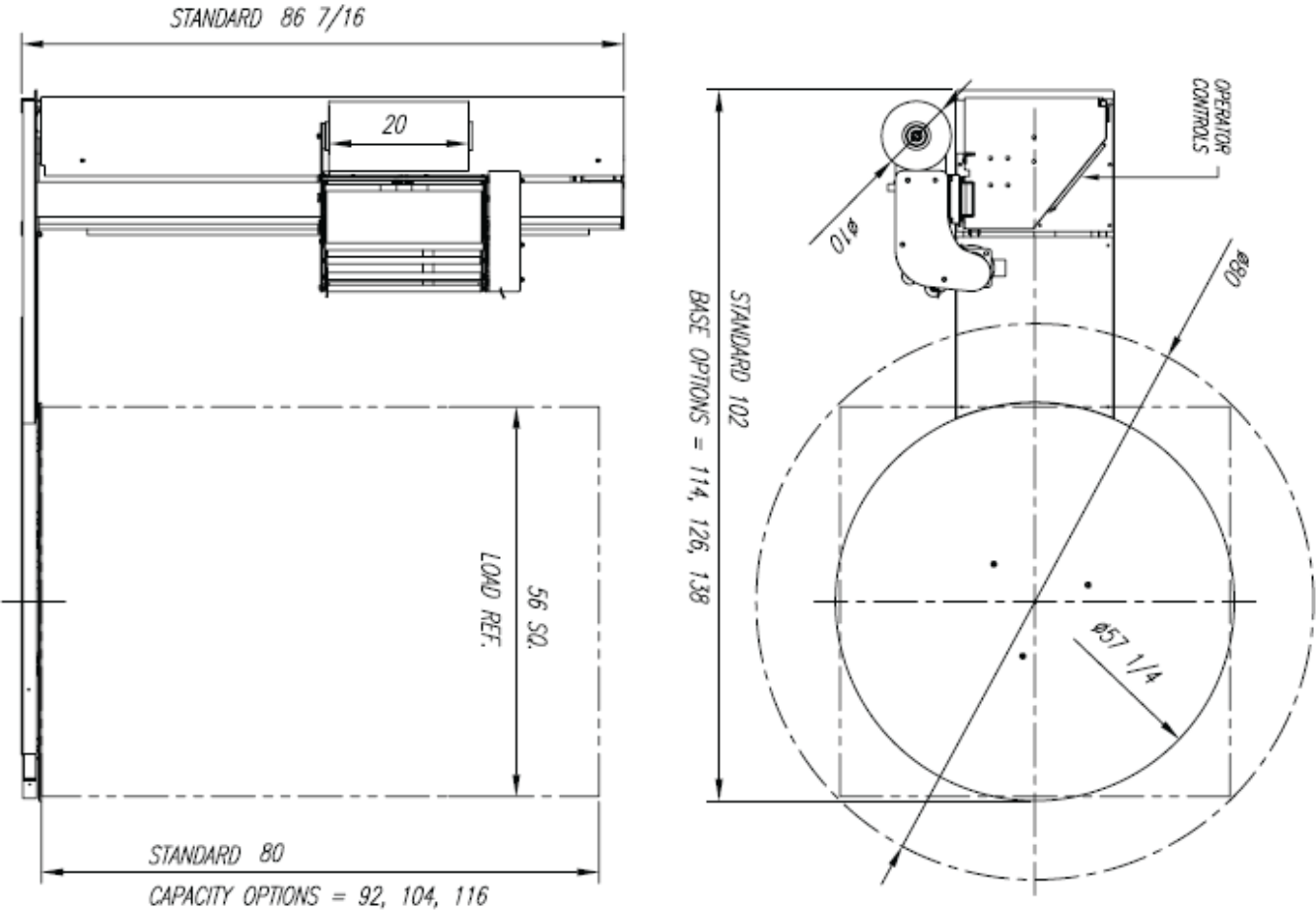


PHOENIX SEMI AUTOMATIC ROTARY TURNTABLE PALLET WRAPPER

PLP-2150



For more information call (514) 956-1525
or visit us at www.phoenixwrappers.com