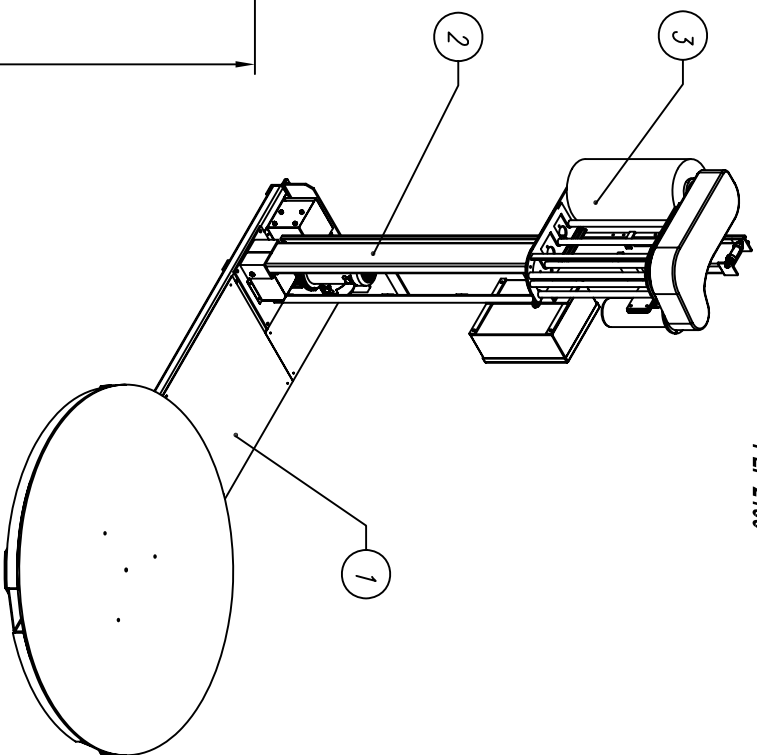
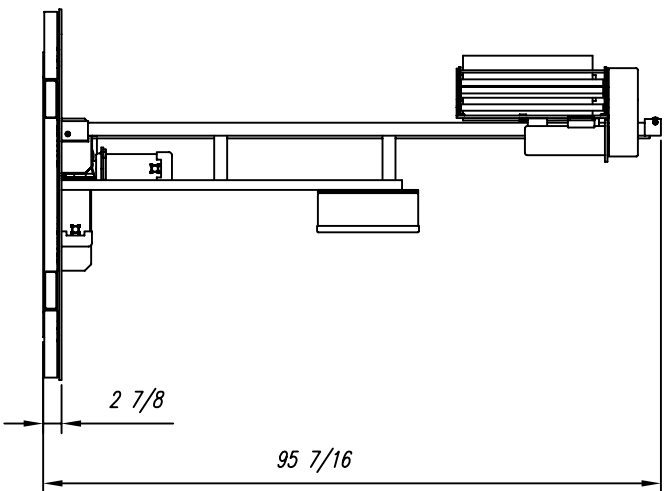
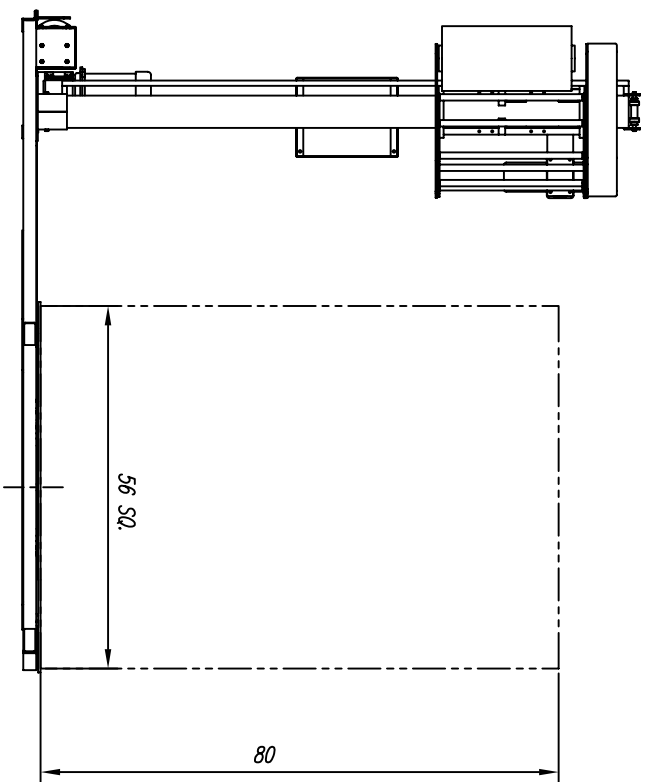
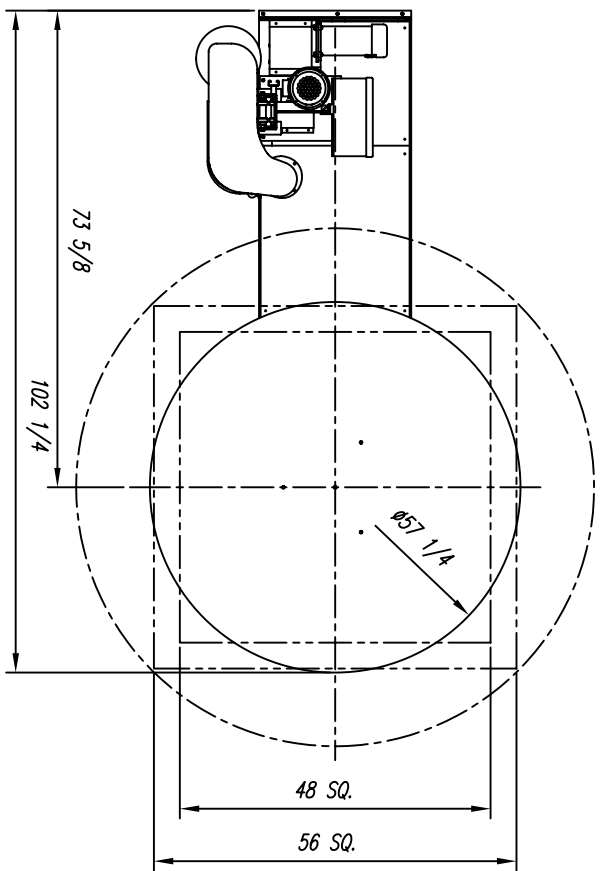


**PHOENIX LOW PROFILE SEMI-AUTOMATIC PALLET WRAPPER  
PLP-2100**



ITEM	DESCRIPTION
1	BASE ASSEMBLY (LP-2100 K3)
2	TOWER ASSEMBLY-2100
3	20" PRESTRETCH CARRIAGE



For more information call (514) 936-1525  
or visit us at [www.phoenixwrappers.com](http://www.phoenixwrappers.com)